

ATEQ BENCH DG5

*Leak and Flow bench control
for the gas industry*

- **SESAME SOFTWARE**
- **INTERFACE: PC WINDOWS
BASED SOFTWARE**
- **PC PLATFORM OFFERS
FLEXIBLE CONFIGURATION**
- **RACK 19" 6U**

5 SERIES

*The DG5 bench is designed
for the gas industry and pro-
vides the operator with visual
real time gas leak and flow
measurements.*

*Equipped with a leak measu-
rement module (G5) a flow
measurement module (D5)
and a convivial PC interface
developed by ATEQ (Sesame
software),*



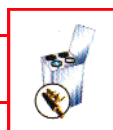
Main Features

- Unlimited number of programs
- Calibration on Master jets
- Automatic start with bar code reader
- Autotest
- Displays test curves in real time
- Autosaving of the results on PC
- Adjustable reject levels
- Automatic compensation of pressure variation
- Test results of each parts can be printed on a label that the operator sticks on the tested part (according to option, computer and printer)
- Operator remote control



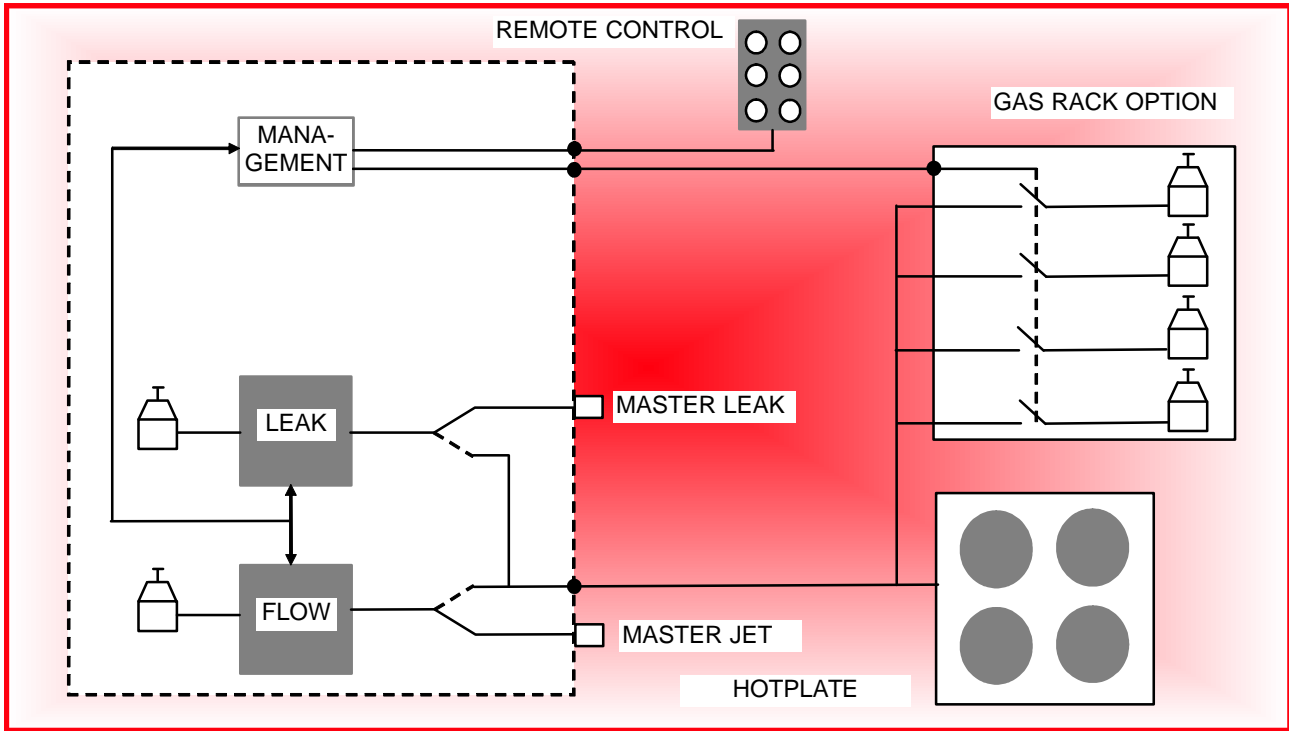
Applications

Gas industry:
cookers, valve, gas taps, gas burners, exchangers of heats of boiler...





General Principle



Measurement range

ATEQ D5 PRESSURE MEASUREMENT		
RANGE	ACCURACY	MAXIMUM RESOLUTION
F.S. = 75 mbar	$\pm(1.5\% \text{ of the pressure} + 0.2 \text{ hPa})$	01% of the F.S.

ATEQ D5 FLOW MEASUREMENT		
RANGE	ACCURACY	MAXIMUM RESOLUTION
500 l/h	$\pm (2.5\% F + 0.5 \text{ l/h})$	$\geq 1\%$ of the F.S.
1 500 l/h	$\pm (2.5\% F + 1.5 \text{ l/h})$	$\geq 1\%$ of the F.S.

F = Flow - F.S. = Full scale

ATEQ G5 PRESSURE MEASUREMENT		
RANGE	ACCURACY	MAXIMUM RESOLUTION
5 - 50 kPa	$\pm (1.5\% \text{ of the pressure} + 3 \text{ hPa})$	0.1% of the F.S.

ATEQ G5 FLOW MEASUREMENT		
RANGE	ACCURACY	MAXIMUM RESOLUTION
1000 cm ³ .atm/h	$\pm (3.5\% \text{ of the value} + 5 \text{ cm}^3.\text{atm/h})$	1 cm ³ .atm/h



Technical specifications

Physical

Weight: around 26 kg
 Dimensions (in mm): Rack 19" 6U. d: 460
 External keyboard

External electrical supply

Electrical power supply: 230 V AC +/- 15 %, Voltage 500W

Air supply

600 kPa (6 bar) +/- 15 %. Clean and dry air required
 Air quality standard to be applied (ISO 8573-1)

Temperature

Operating : + 5°C to + 35°C
 Storage : + 5°C to + 35°C

Accessories

6 functions remote control
 Printer
 Needle valve
 Leak Jets
 Filtration kit
 Sealing Connectors
 Leak Flow calibrator
Please refer to ATEQ accessories list



Head office:

15, rue des Dames - ZI des Dames - 78340 Les Clayes-Sous-Bois - France

☎ : + 33 (0)1 30 80 10 20 - Fax : + 33 (0)1 30 54 11 00 - e-mail : info@ateq.com

www.ateq.com